

PRODUCT CODE: PAF25B
PVC CONDUIT ACCESSORIES

DESCRIPTION

25mm Female Adaptor

FINISH

Black

MATERIAL

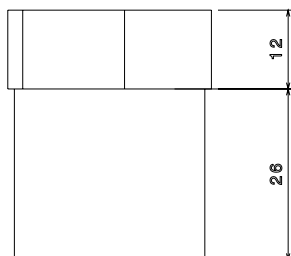
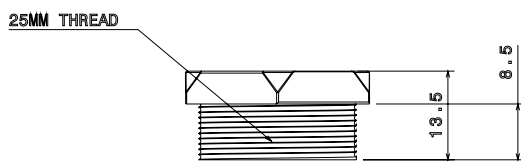
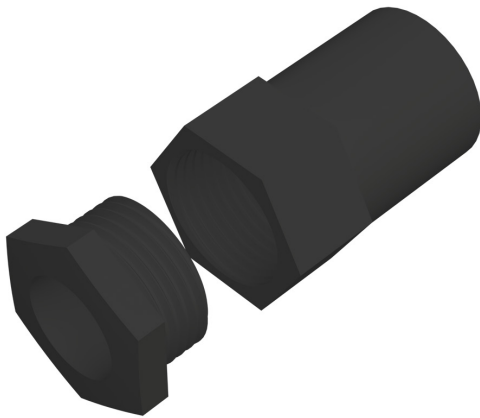
PVC

PACKAGING

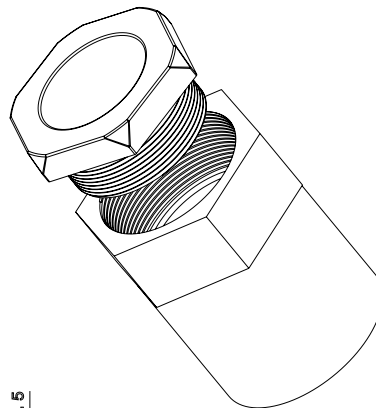
Packed in qty 100

ADDITIONAL NOTES

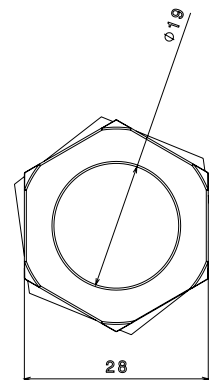
Manufactured to BS4607 part 1



Side view



Isometric view



Top view